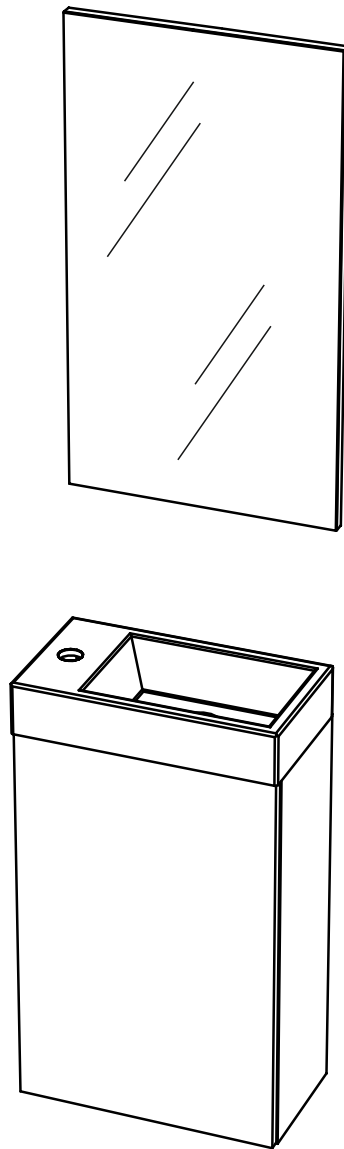

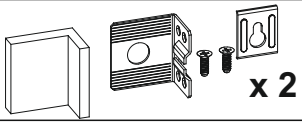


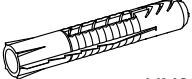
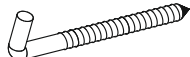
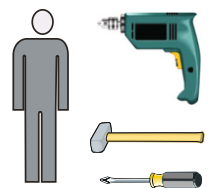


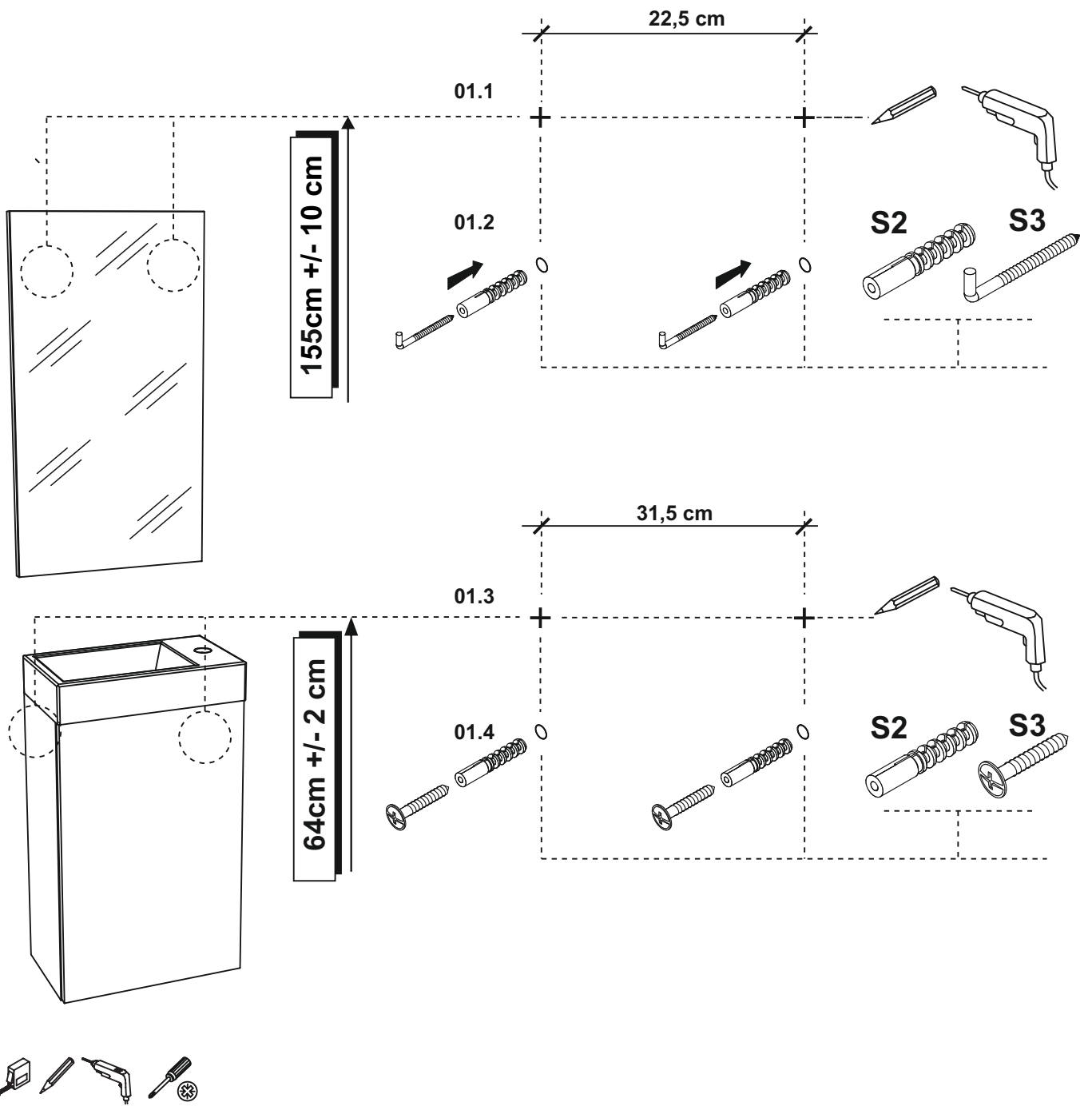
# SET SMALL



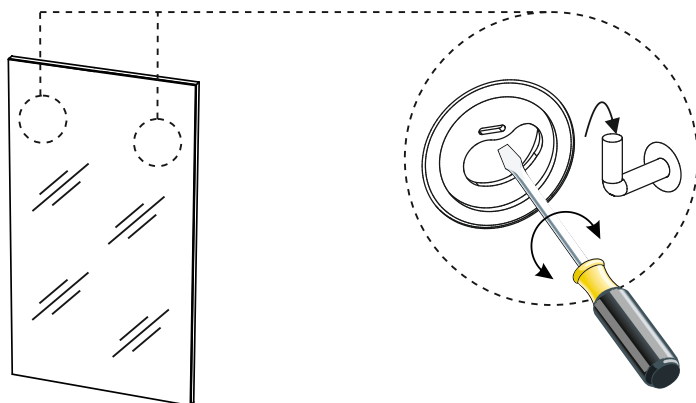
	<b>I2</b>	<b>ZR2</b>	
	 UP3x12	 x 2	
	x 1	x 1	
<b>P0</b>	<b>S1</b>	<b>S2</b>	<b>S3</b>
 ø 5	 ST6x60	 UX8	
x 4	x 2	x 4	x 2



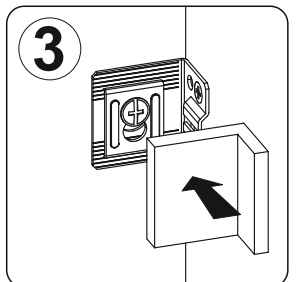
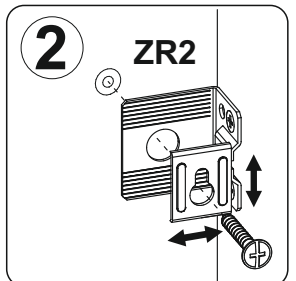
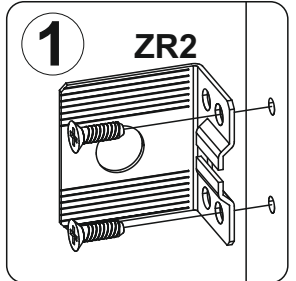
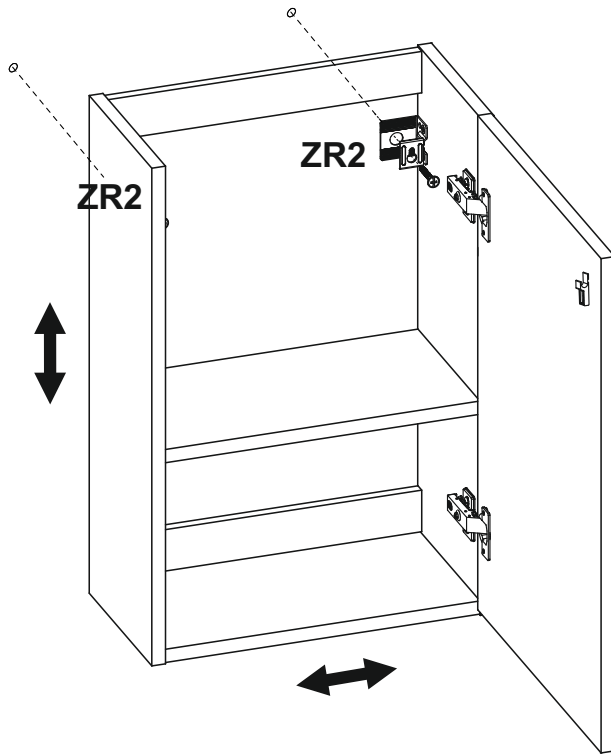
1



2



3

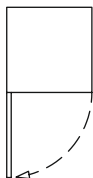


4



03.

04.

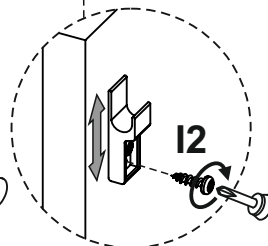
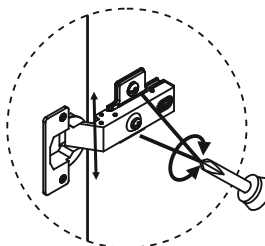
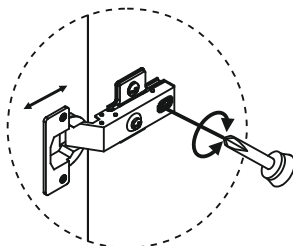
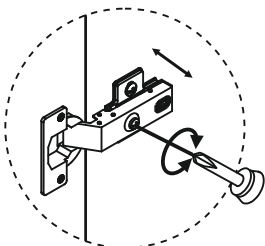
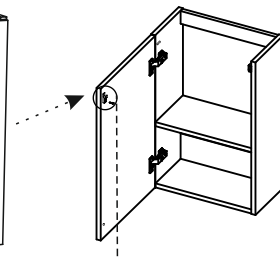
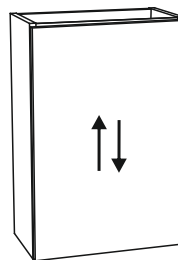
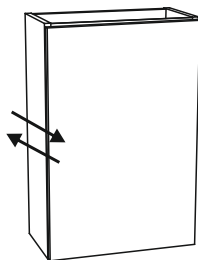
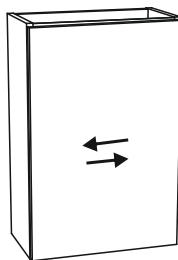


05.

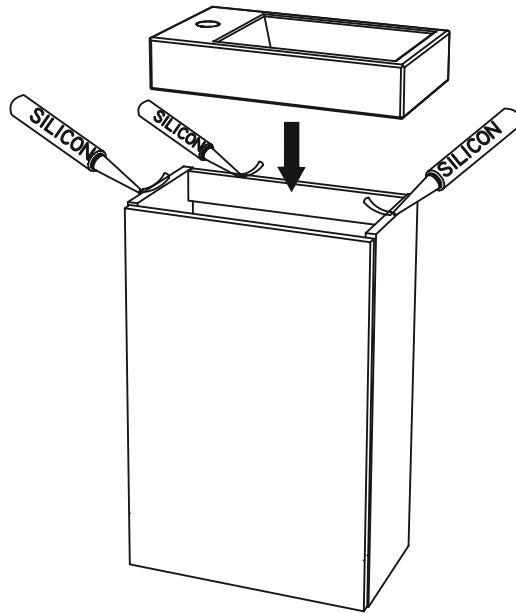
03.

04.

5



6



7

