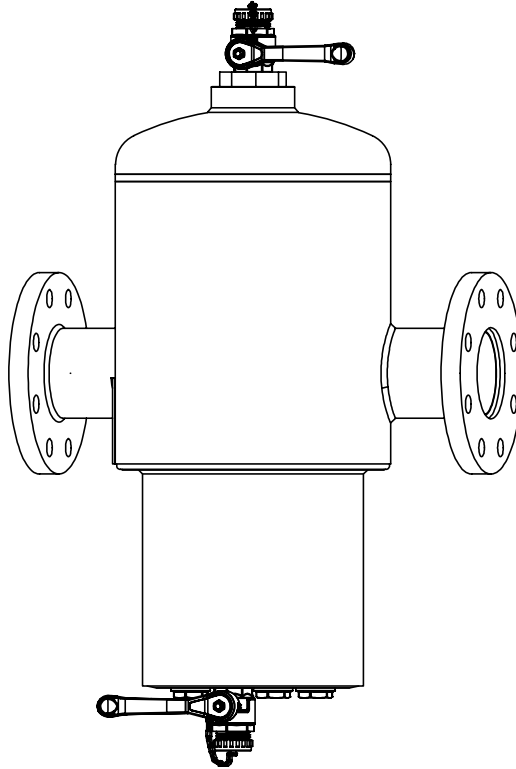
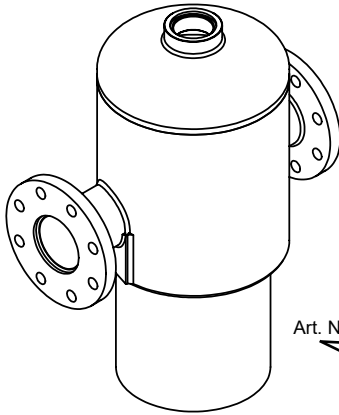
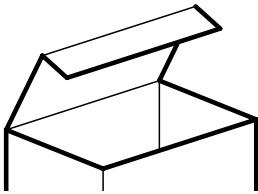
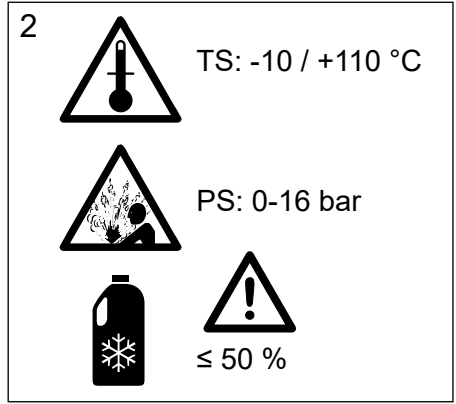
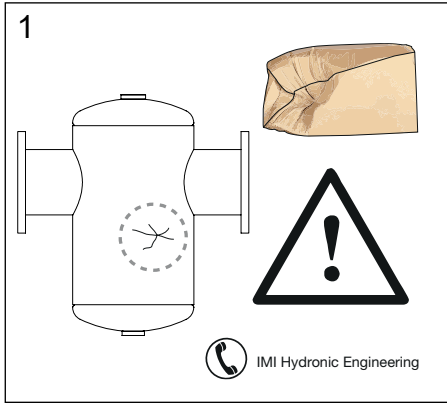
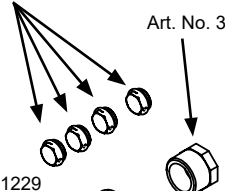


Zeparo G-Force PN16 INSTALL

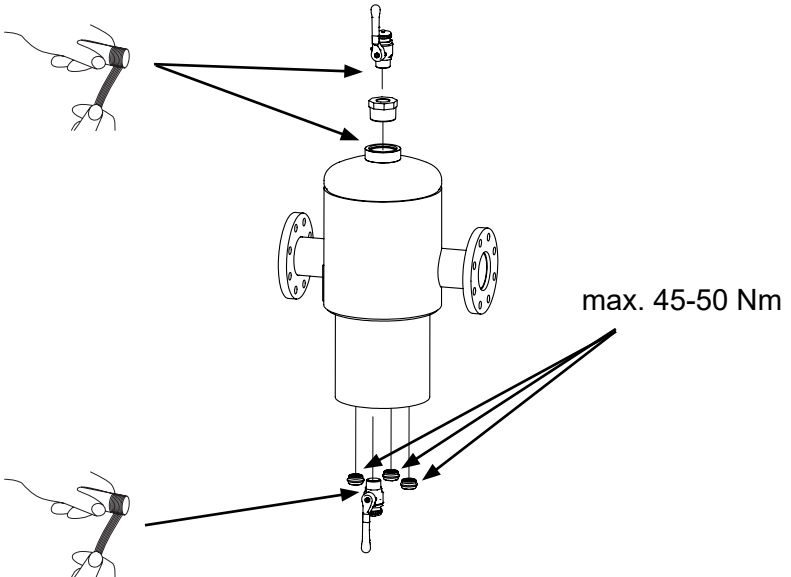
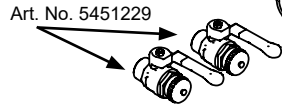




Art. No. 3312111
3x (DN65-150), 4x (DN200-300)



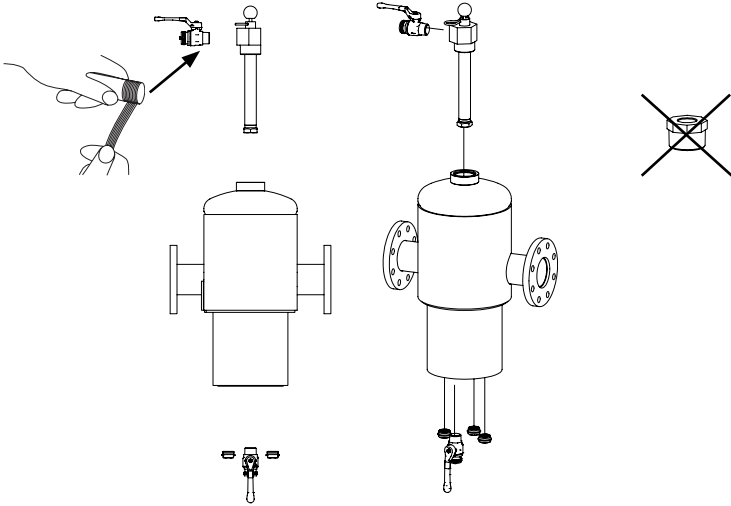
Art. No. 3312110



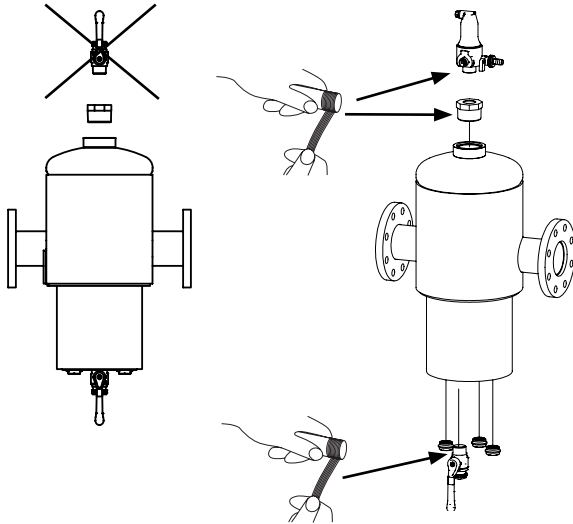
ZGM

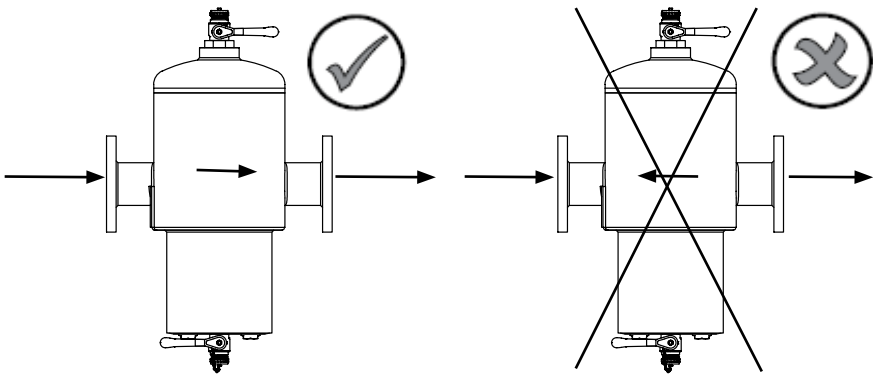
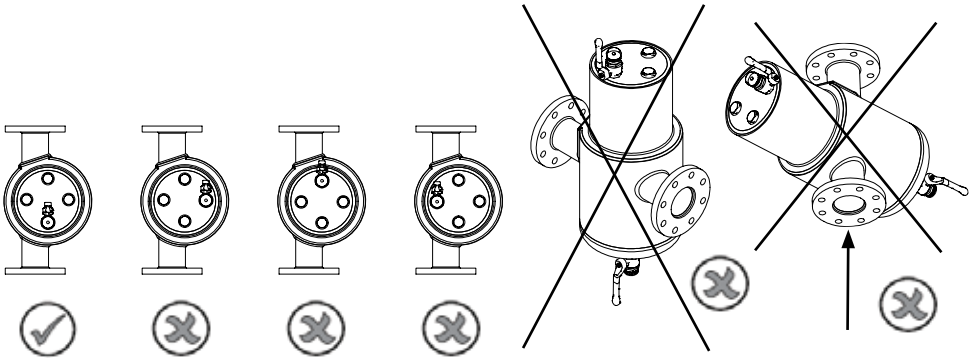
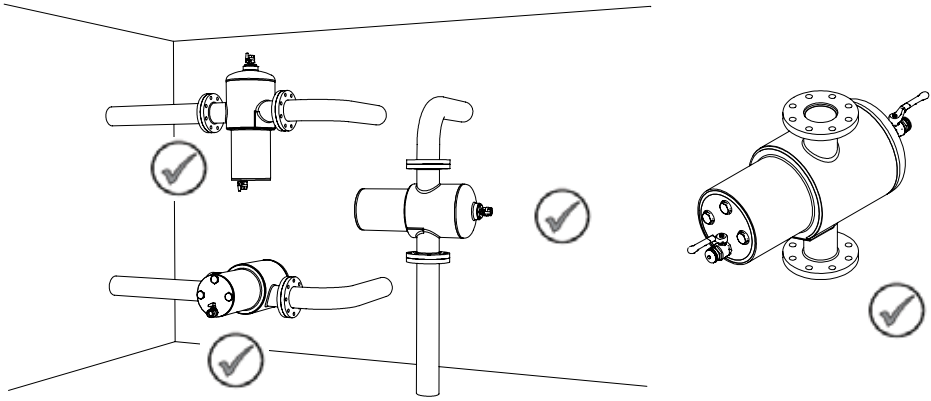


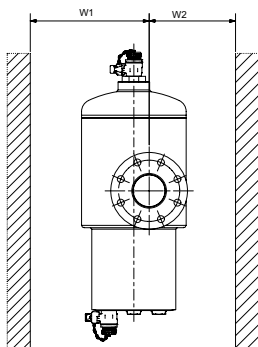
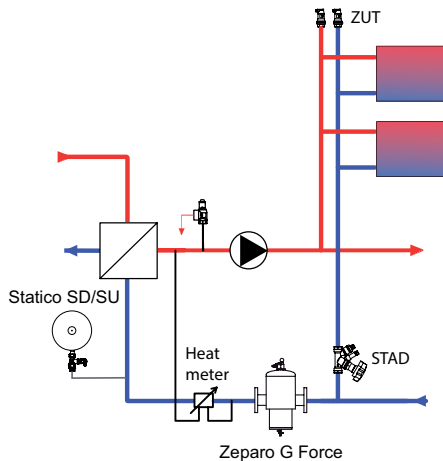
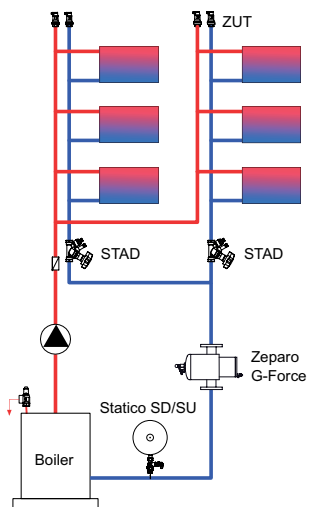
TS: -10 / +110 °C



ZUTX



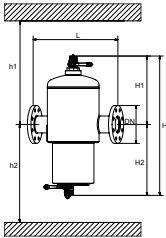




Wall distance (all versions)

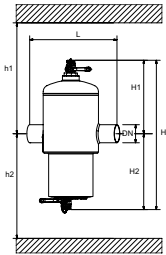
Type	W1	W2	with insulation	
			Wi1	Wi2
ZG 65	150	100	200	140
ZG 80	185	105	235	170
ZG 100	185	115	235	170
ZG 125	275	150	335	210
ZG 150	275	150	335	210
ZG 200	405	225	470	290
ZG 250	515	315	580	380
ZG 300	515	315	580	380

Flanged



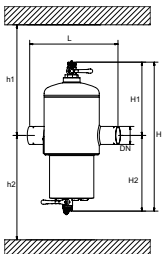
Type	S [DN]	H	H1	H2	h1	h2	L	q _{nom} [m³/h]	q _{max} [m³/h]	m [kg]	EAN	Article No
ZG 65	65	815	420	395	685	645	350	10	40	23	7640161631489	303041-11000
ZG 80	80	900	445	455	710	705	470	18	56	37	7640161631496	303041-11100
ZG 100	100	960	445	515	710	765	475	37	95	40	7640161631502	303041-11200
ZG 125	125	1180	560	620	935	870	635	68	148	108	7640161631519	303041-11300
ZG 150	150	1250	560	690	935	640	635	100	216	118	7640161631526	303041-11400
ZG 200	200	1470	580	890	1065	1140	900	200	375	238	7640161631533	303041-11500
ZG 250	250	1705	630	1075	1115	1325	1100	345	575	443	7640161631540	303041-11600
ZG 300	300	1855	655	1200	1140	1450	1100	540	815	490	7640161631557	303041-11700

Welded

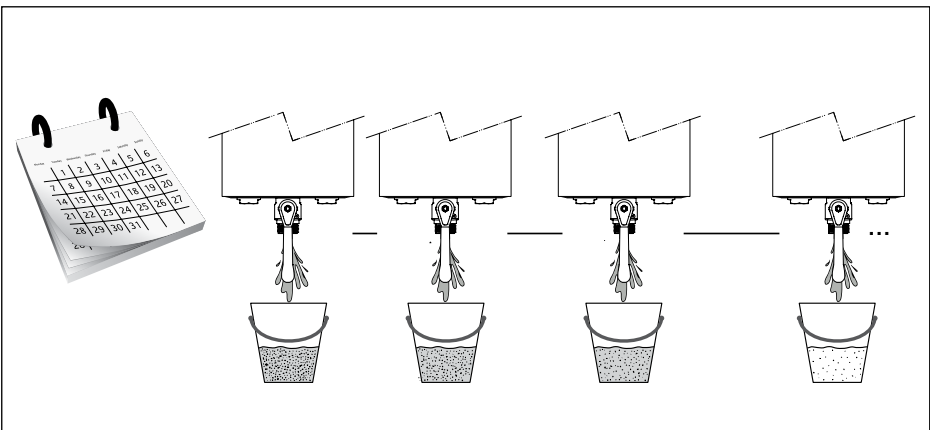
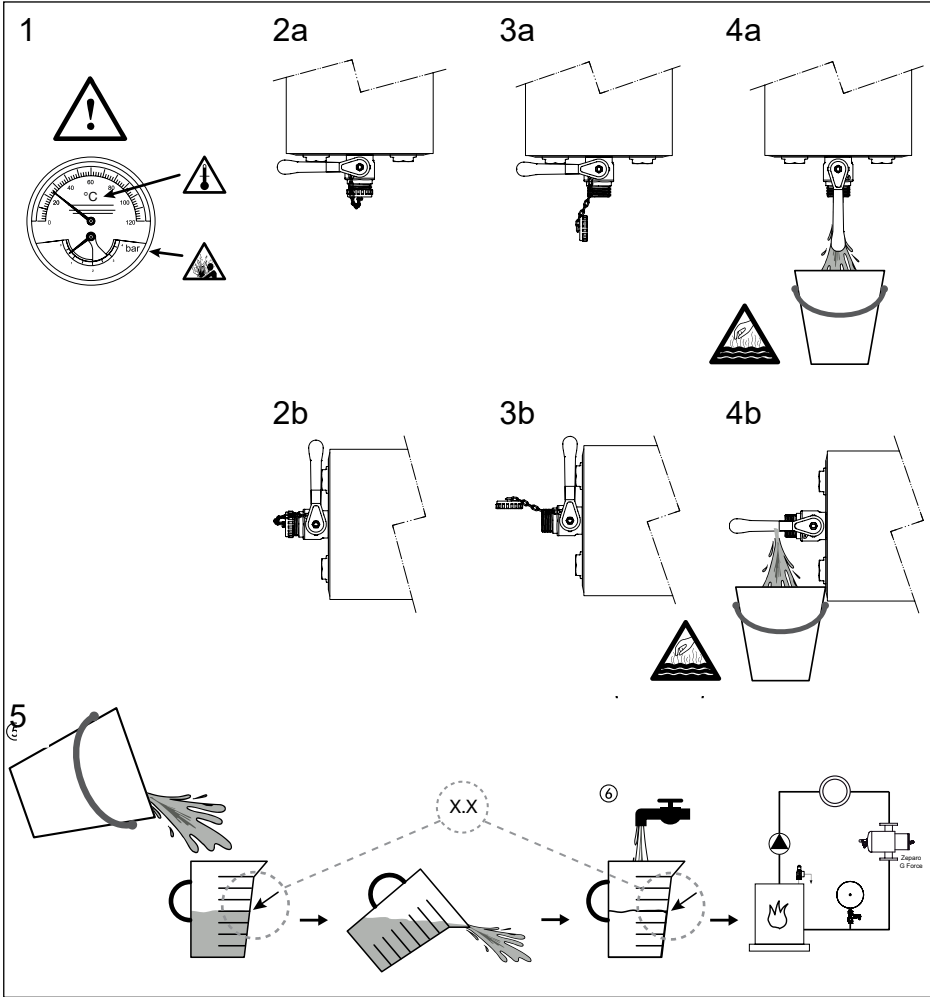


Type	S [DN]	H	H1	H2	h1	h2	L	q _{nom} [m³/h]	q _{max} [m³/h]	m [kg]	EAN	Article No
ZG 65 W	65	815	420	395	685	645	340	10	40	19	7640161631564	303041-21000
ZG 80 W	80	900	445	455	710	705	455	18	56	30	7640161631571	303041-21100
ZG 100 W	100	960	445	515	710	765	460	37	95	31	7640161631588	303041-21200
ZG 125 W	125	1180	560	620	935	870	615	68	148	97	7640161631595	303041-21300
ZG 150 W	150	1250	560	690	935	940	615	100	216	102	7640161631601	303041-21400
ZG 200 W	200	1470	580	890	1065	1140	880	200	375	218	7640161631618	303041-21500
ZG 250 W	250	1705	630	1075	1115	1325	1080	345	575	415	7640161631625	303041-21600
ZG 300 W	300	1855	655	1200	1140	1450	1080	540	815	452	7640161631632	303041-21700

Grooved



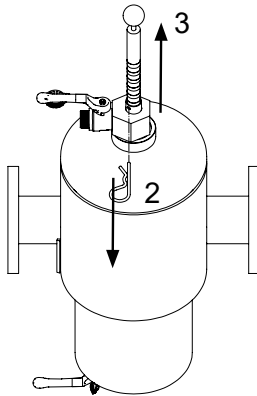
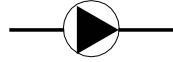
Type	S [DN]	H	H1	H2	h1	h2	L	q _{nom} [m³/h]	q _{max} [m³/h]	m [kg]	EAN	Article No
ZG 65 G	65	815	420	395	685	645	340	10	40	23	7640161636552	303041-21001
ZG 80 G	80	900	445	455	710	705	455	18	56	37	7640161636569	303041-21101
ZG 100 G	100	960	445	515	710	765	460	37	95	40	7640161636576	303041-21201
ZG 125 G	125	1180	560	620	935	870	615	68	148	108	7640161636583	303041-21301
ZG 150 G	150	1250	560	690	935	940	615	100	216	118	7640161636590	303041-21401
ZG 200 G	200	1470	580	890	1065	1140	880	200	375	238	7640161636606	303041-21501
ZG 250 G	250	1705	630	1075	1115	1325	1080	345	575	443	7640161636613	303041-21601
ZG 300 G	300	1855	655	1200	1040	1450	1080	540	815	490	7640161636620	303041-21701



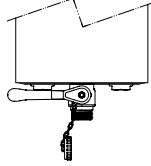
ZGM



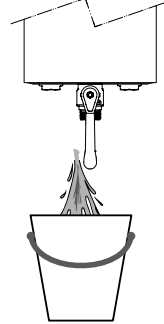
1




4



5



 www.imi-hydronic.com