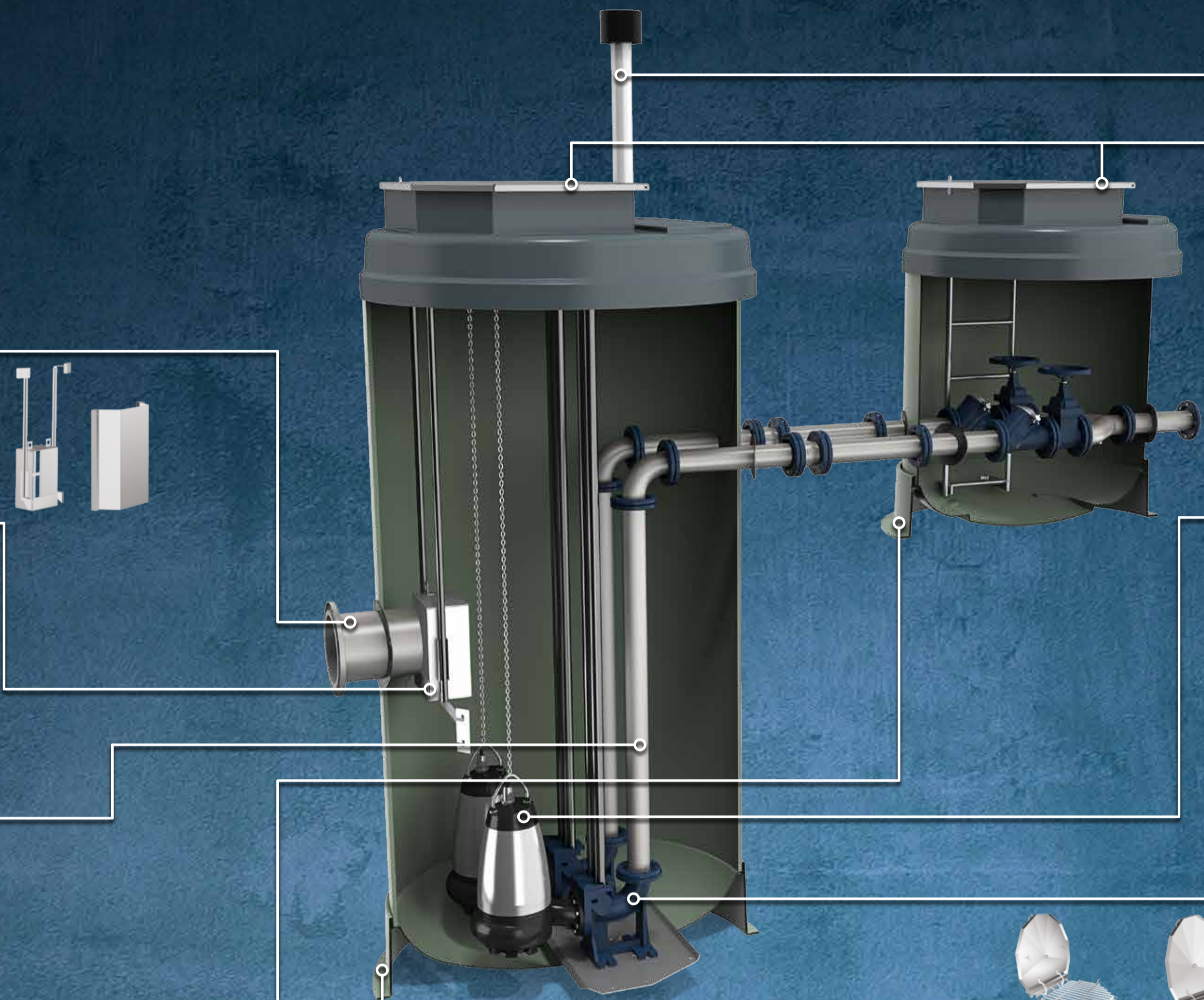
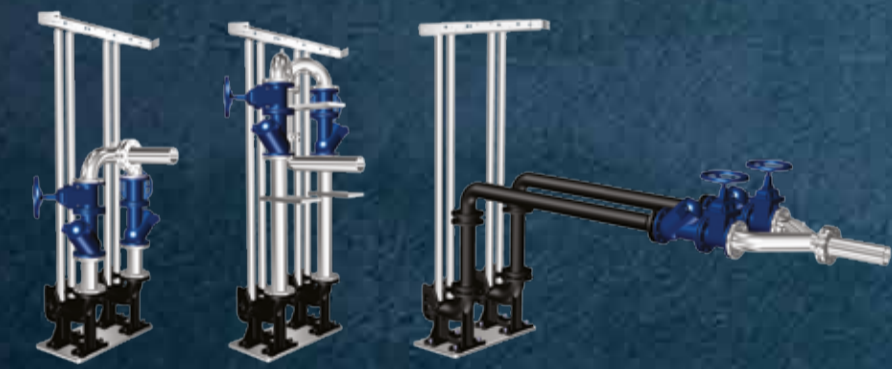


GRUNDFOS PUMPING STATIONS – A COMPLETE & CE MARKED SYSTEM

Inlet pipe	PS.R.05	PS.R.08	PS.R.10	PS.R.12	PS.R.17	PS.G.12	PS.G.14	PS.G.16	PS.G.18	PS.G.20	PS.G.22	PS.G.30
Inlet material												
PVC (Polyvinyl chloride)						X	X	X	X	X	X	X
PE (Polyethylene)	X	X	X	X	X	X	X	X	X	X	X	X
Stainless steel (AISI 304)						X	X	X	X	X	X	X
Inlet size												
DN50/D63	X	X	X	X	X	X	X	X	X	X	X	X
DN65/D75	X	X	X	X	X	X	X	X	X	X	X	X
DN80/D90	X	X	X	X	X	X	X	X	X	X	X	X
DN100/D110	X	X	X	X	X	X	X	X	X	X	X	X
DN150/D160	X	X	X	X	X	X	X	X	X	X	X	X
DN200/D200	X	X	X	X	X	X	X	X	X	X	X	X
DN250/D250						X	X	X	X	X	X	X
DN300/D315					D315	X	X	X	X	X	X	X
DN350/D355						X	X	X	X	X	X	X
DN400/D400						X	X	X	X	X	X	X
DN500									X	X	X	X
DN600									X	X	X	X
Inlet screen												
Screen basket					X	X	X	X	X	X	X	X
Baffle plate					X	X	X	X	X	X	X	X

Pressure pipe	PS.R.05	PS.R.08	PS.R.10	PS.R.12	PS.R.17	PS.G.12	PS.G.14	PS.G.16	PS.G.18	PS.G.20	PS.G.22	PS.G.30
Pressure pipe material												
PE	X	X	X	X	X	X	X	X	X	X	X	X
Stainless steel (AISI 304)	X	X	X	X	X	X	X	X	X	X	X	X
Pressure pipe size												
DN32/D40	X											
DN40/D50		X	X	X								
DN50/D63		X	X	X	X	X	X	X	X	X	X	X
DN65/D75			X	X	X	X	X	X	X	X	X	X
DN80/D90			X	X	X	X	X	X	X	X	X	X
DN100/D110				X	X	X	X	X	X	X	X	X
DN150/D160						X	X	X	X	X	X	X
DN200									X	X	X	X
DN250									X	X	X	X
Extra connection												
Plug	X	X	X	X	X	X	X	X	X	X	X	X
Manometer	X	X	X	X	X	X	X	X	X	X	X	X
Vacuum breaker	X	X	X	X	X	X	X	X	X	X	X	X

Pipe design	PS.R.05	PS.R.08	PS.R.10	PS.R.12	PS.R.17	PS.G.12	PS.G.14	PS.G.16	PS.G.18	PS.G.20	PS.G.22	PS.G.30
Goose neck, common (GC)	X	X	X	X	X	X	X	X	X	X	X	X
Direct outlet, common (DC)			X	X	X	X	X	X	X	X	X	X
Valve chamber (VC)				X	X	X	X	X	X	X	X	X



Connection - Other	PS.R.05	PS.R.08	PS.R.10	PS.R.12	PS.R.17	PS.G.12	PS.G.14	PS.G.16	PS.G.18	PS.G.20	PS.G.22	PS.G.30
Overflow connection	X	X	X	X	X	X	X	X	X	X	X	X
Cover mounted									X	X	X	X
Side mounted	X	X	X	X	X	X	X	X	X	X	X	X
Cable connection	X	X	X	X	X	X	X	X	X	X	X	X

Pumps	PS.R.05	PS.R.08	PS.R.10	PS.R.12	PS.R.17	PS.G.12	PS.G.14	PS.G.16	PS.G.18	PS.G.20	PS.G.22	PS.G.30
Pump type												
KP: Unilift KP, Unilift CC	X											
AP35: Unilift AP12.40, Unilift AP35		X	X	X								
AP50: Unilift AP12.50, Unilift AP50		X	X	X								
APB: Unilift AP35B, Unilift AP50B		X	X	X								
DP/EF: DP (0.6 - 1.5kW), EF		X	X	X	X	X	X	X	X	X	X	X
DP/SE: DP (2.6kW), SL1.50.65 & SLV.65.65		X	X	X	X	X	X	X	X	X	X	X
SEG: SEG		X	X	X	X	X	X	X	X	X	X	X
SE/SL												
5												

Installation type	PS.R.05	PS.R.08	PS.R.10	PS.R.12	PS.R.17	PS.G.12	PS.G.14	PS.G.16	PS.G.18	PS.G.20	PS.G.22	PS.G.30
Free standing	X	X	X	X								
Hookup with Auto coupling			X									
Submersible with auto coupling	X	X	X	X	X	X	X	X	X	X	X	X

Cover	PS.R.05	PS.R.08	PS.R.10	PS.R.12	PS.R.17	PS.G.12	PS.G.14	PS.G.16	PS.G.18	PS.G.20	PS.G.22	PS.G.30
Standard cover PE	X	X	X	X								
Reduced top with PE cover					X							
Standard hatch aluminum					X	X	X	X	X	X	X	X
Traffic cover cast iron (Class D)	X	X	X	X	X	X	X	X	X	X	X	X
Traffic cover galvanized steel (Class D)						X	X	X	X	X	X	X
Traffic cover stainless steel (Class D)						X	X	X	X	X	X	X
Safety grid						X	X	X	X	X	X	X

Extra options	PS.R.05	PS.R.08	PS.R.10	PS.R.12	PS.R.17	PS.G.12	PS.G.14	PS.G.16	PS.G.18	PS.G.20	PS.G.22	PS.G.30
Service platform								X	X	X	X	X
Insulation						X	X	X	X	X	X	X

Accessories	PS.R.05	PS.R.08	PS.R.10	PS.R.12	PS.R.17	PS.G.12	PS.G.14	PS.G.16	PS.G.18	PS.G.20	PS.G.22	PS.G.30
Mixer solution						X						
Cone connection joints	X	X	X	X	X	X	X	X	X	X	X	X
Hole saw	X	X	X	X	X	X						
Center drill	X	X	X	X	X	X						
Commissioning	X	X	X	X	X	X	X	X	X	X	X	X

Technical specifications:	PS.R.05	PS.R.08	PS.R.10	PS.R.12	PS.R.17	PS.G.12	PS.G.14	PS.G.16	PS.G.18	PS.G.20	PS.G.22	PS.G.30
Length	2000mm	1000-3000mm	1000-3000mm	2000-3000mm	2000-6000mm	1500-8000mm	1500-8000mm	1500-8000mm	1500-8000mm	1500-8000mm	1500-8000mm	1500-8000mm
Sump diameter (mm)	500	800	1000	1200	1700	1200	1400	1600	1800	2000	2200	3000
Pit material	Polyethylene	Polyethylene	Polyethylene	Polyethylene	Polyethylene	Polyethylene	Glass-fibre-reinforced polyester	Glass-fibre-reinforced polyester	Glass-fibre-reinforced polyester	Glass-fibre-reinforced polyester	Glass-fibre-reinforced polyester	Glass-fibre-reinforced polyester
Numbers of pumps	1	1	1 or 2	1 or 2	2	2	2	2	2	2	2	2 or 3

Technical specification	LC(D) 108	LC(D) 115	Dedicated
Basic control	X	X	
Advanced control			X
Control & monitoring			
Level control, alarm and dry running protection			
Float switches	X		X
Pressure sensor		X	X
Other solutions (FPV)			X
Monitoring			
Modbus			X
GSM/GPRS			X
GRM (Grundfos Remote Management)			X
Variable speed			
CUE frequency converter			X
Accessories			
Battery backup	X	X	X
Flashing beacon for external alarm	X	X	
Alarm horn, indoor installation	X	X	
Combined hour and start counter	X	X	
Hour counter	X	X	
External mains switch for supply cable	X	X	
MP204 motor protection per pump			X
System fault light			X
Pump fault light			X
Audible alarm 100db			X
Ampere meter per pump			X
Voltmeter with phase switch			X
Hour counter in cabinet door			X
Beacon internal			X
Phase monitoring			X
Main switch with neutral			X
Transient voltage protection			X
Lightning protection			X
Residual-current circuit breaker			X
Auto switch power supply, 45kW			X
Cabinet heater 30W			X
Panel light 230V with socket			X
Manual reset switch in cabinet door			X
External service plug 3x400V 16A			X
Outdoor cabinet double door			X

Note: This page shows our standard program, but we can do much more!

be think innovate



be think innovate



To learn more go to:

www.grundfos.com
www.product-selection.grundfos.com

The image, text, graphics, logos, and marks contained in this advertisement are registered trademarks owned by Grundfos Holding A/S or Grundfos A/S, Denmark. All rights reserved worldwide. © 2020 Grundfos. All rights reserved.

DESIGN YOUR PUMPING STATION IN 5 QUICK STEPS:

- 1 Input your requirements
- 2 Select a solution
- 3 Configure & customise
- 4 Pick your accessories
- 5 Print or E-mail your order

CUSTOMER SPECIFICATION OR INQUIRY

- 1 **Input your requirements.**
As a minimum insert the data, marked with red boxes.
- 2 **Select a string result.**
You can always review a result by clicking the magnifying glass.
- 3 **Configure the pumping station.**
Select pipe design, pipe size, material etc. Basically everything installed in the station.
- 4 **Select the desired accessories.**
Including commissioning.
- 5 **Download 3D CAD, 2D specification drawing and print your report.**

OPTIMISED WASTEWATER SOLUTIONS

All-in-one pumping stations tailored to your needs



GRUNDFOS PREFABRICATED PUMPING STATIONS

GRUNDFOS

be think innovate

GRUNDFOS

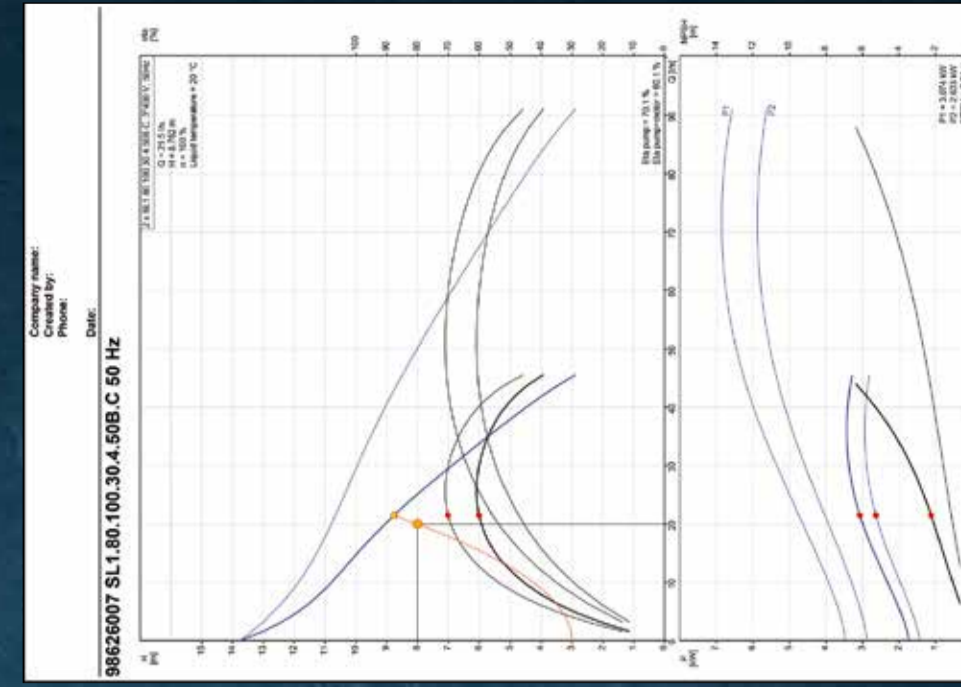
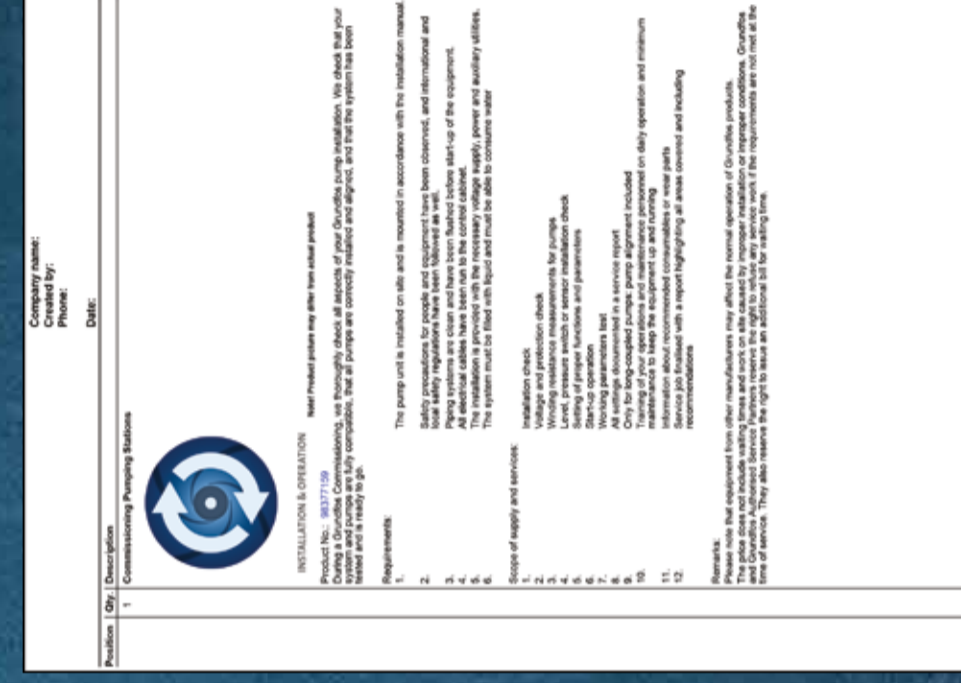
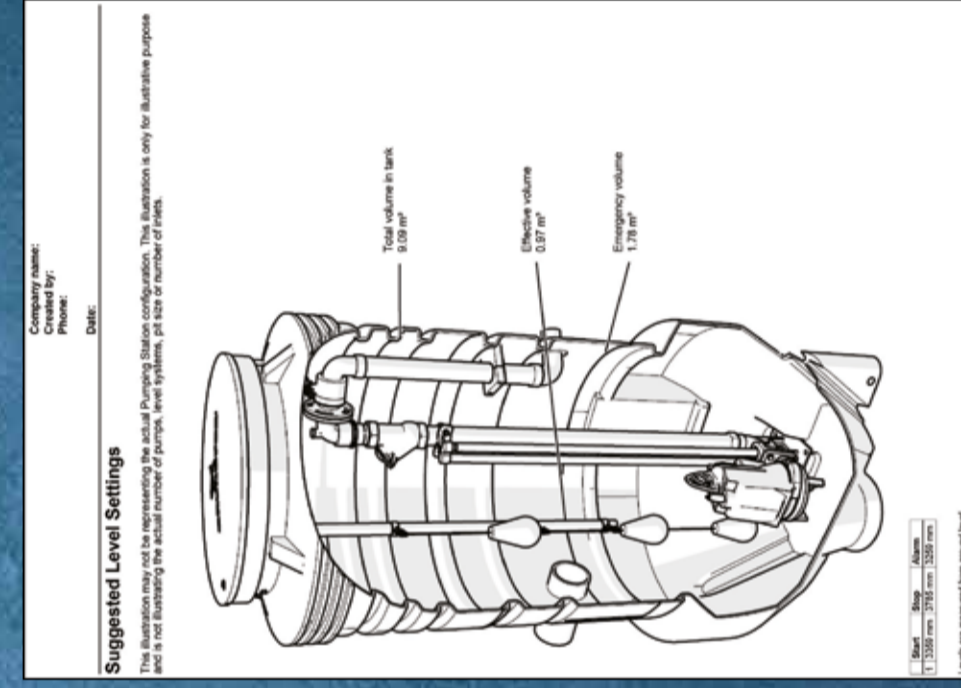
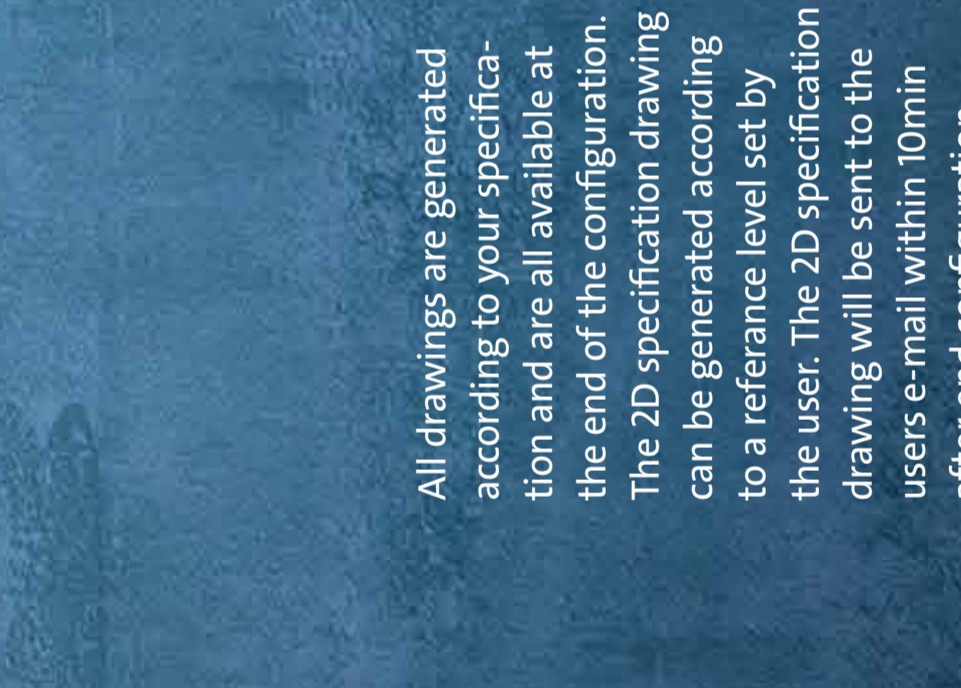
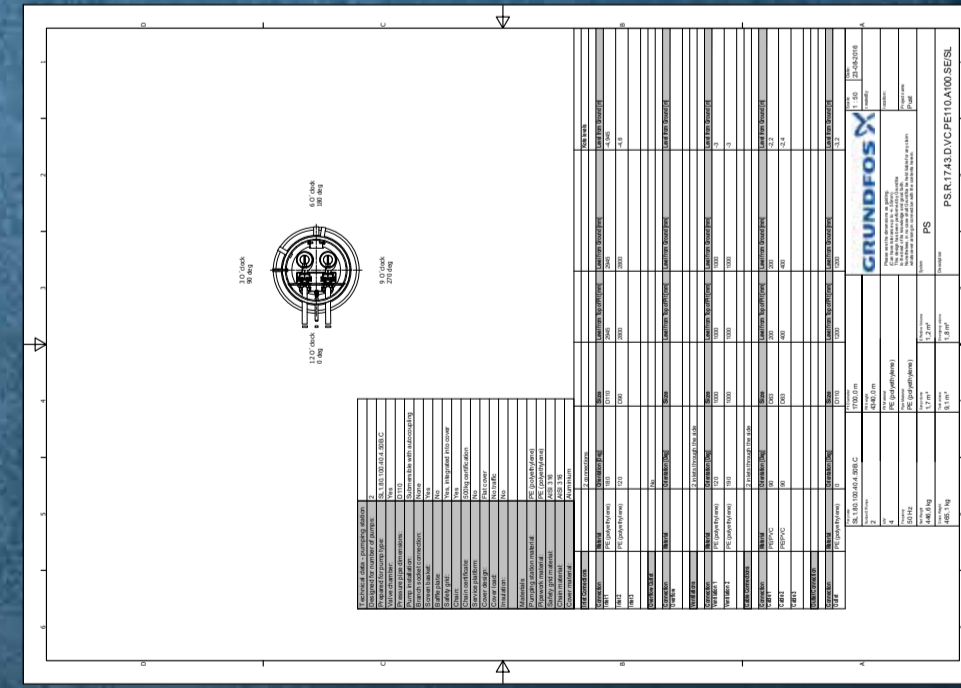
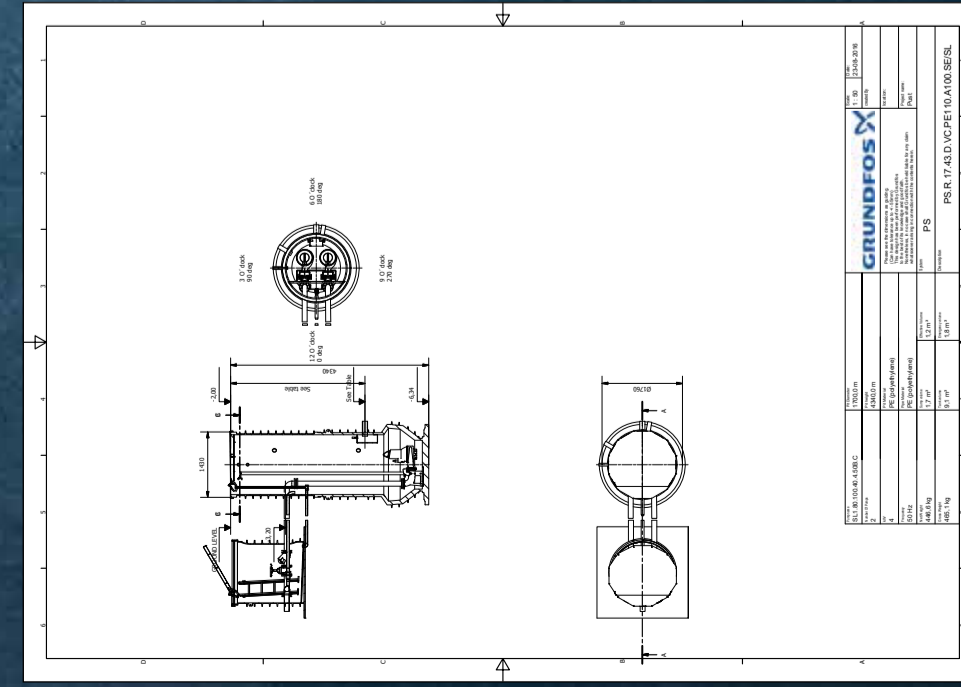
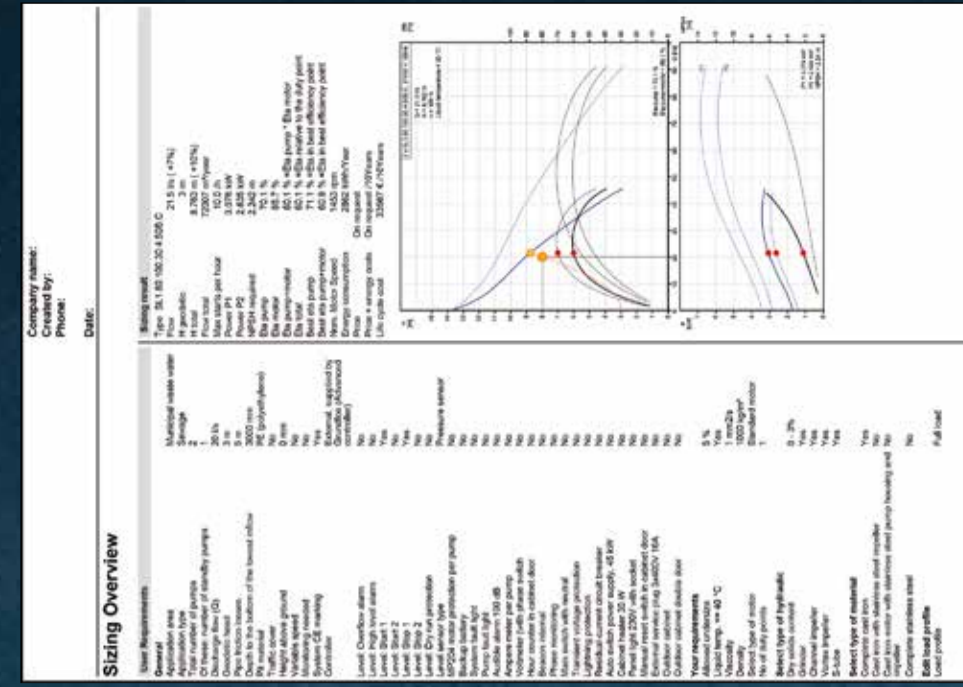
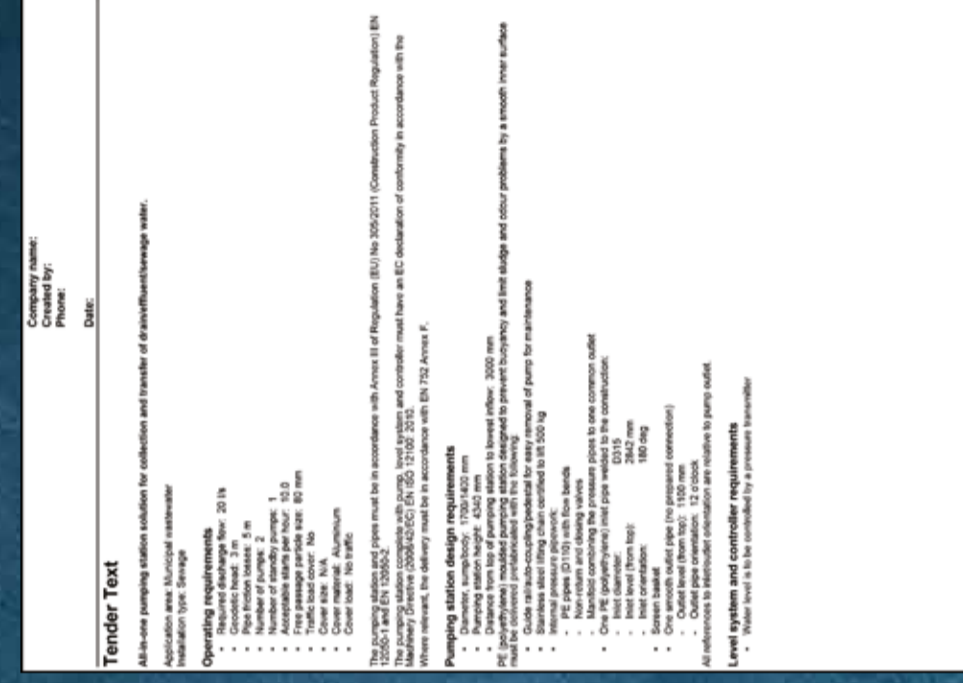
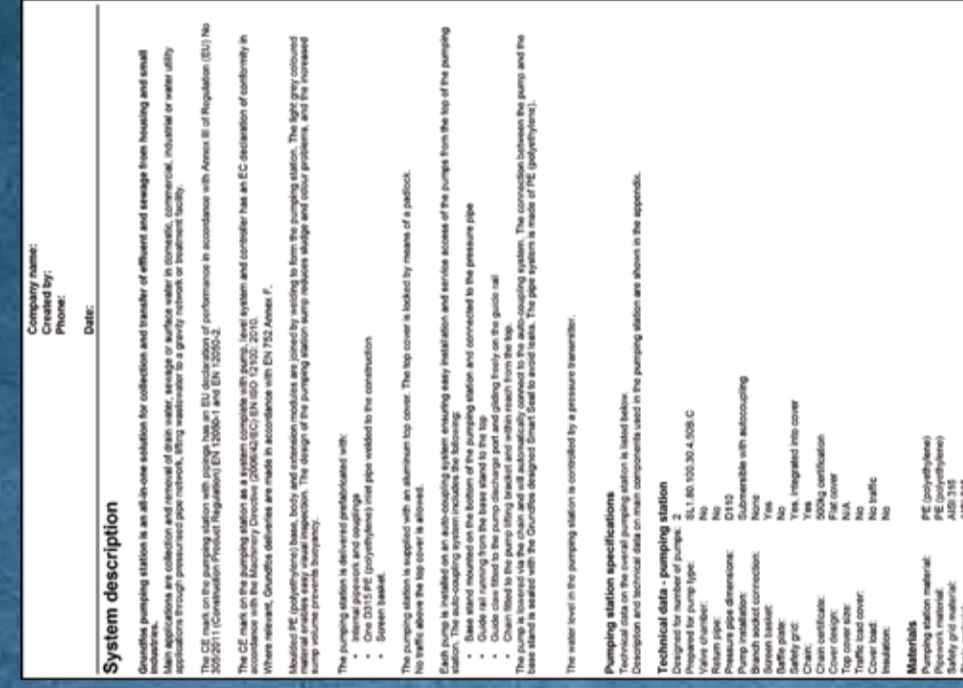
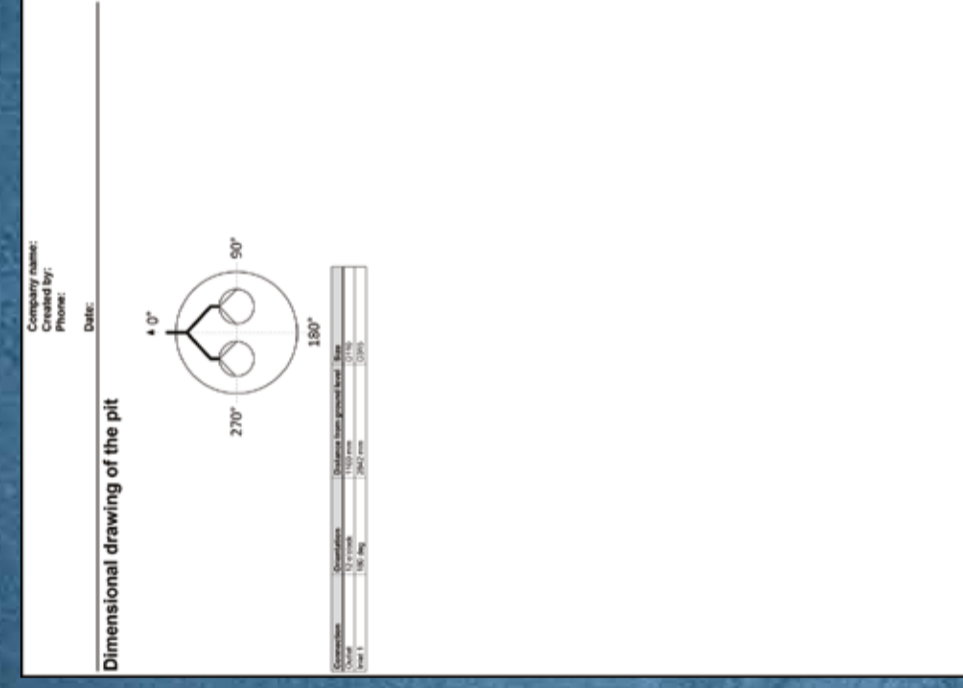
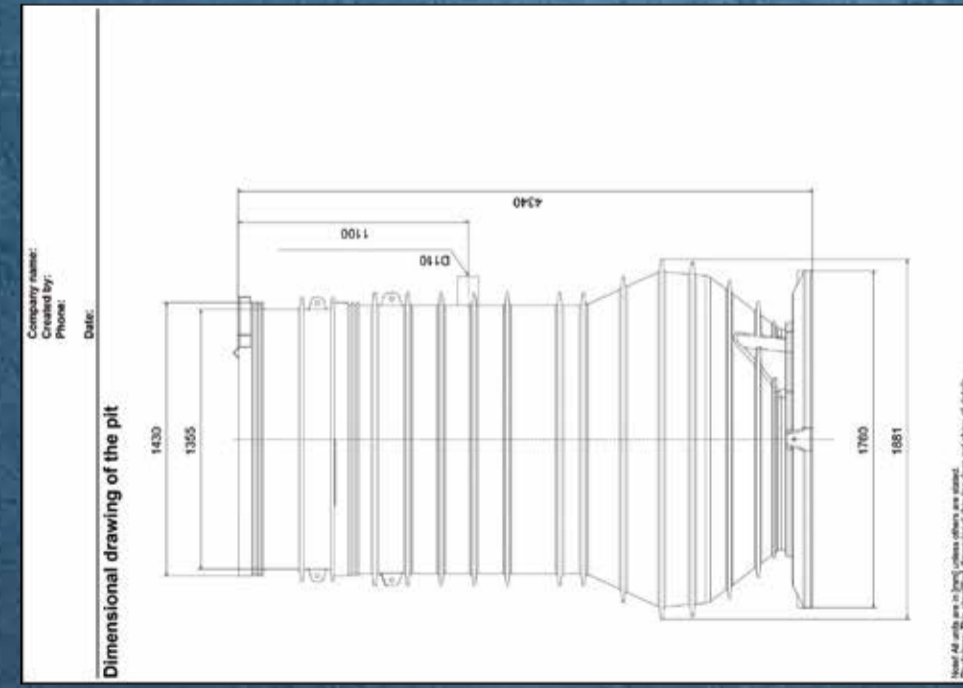
GRUNDFOS Holding A/S
 Poul Due Jensen Vej 7
 DK-8850 Bjerringbro
 Tel: +45 87 50 14 00
www.grundfos.com

GRUNDFOS PUMPING STATION CREATOR OFFERS THE COMPLETE PACKAGE

CUSTOMIZED SOLUTION TAILORED TO YOUR SPECIFICATION, INCLUDING SYSTEM CE MARKING - PURE PLUG-AND-PLAY SOLUTION

The full documentation package is generated "on the fly" and includes:

- Drawing documentation, including 3D CAD drawing, 2D dimensional drawing & 2D specification drawing.



...beside drawings the documentation include: Configured system description, Tender text, Sizing overview, Suggested level settings, quotation texts and pump curve.

All drawings are generated according to your specification and are all available at the end of the configuration. The 2D specification drawing can be generated according to a reference level set by the user. The 2D specification drawing will be sent to the users e-mail within 10min after end configuration.