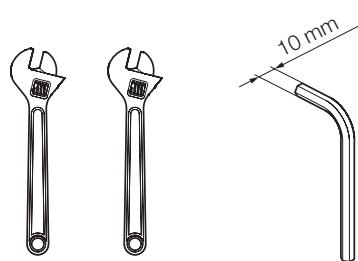
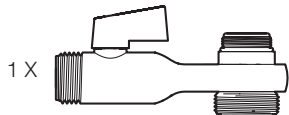
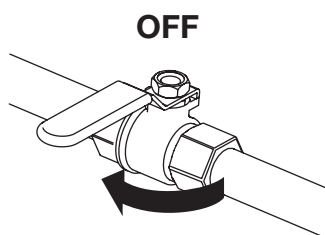
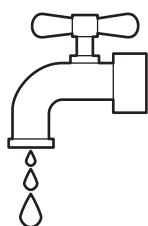




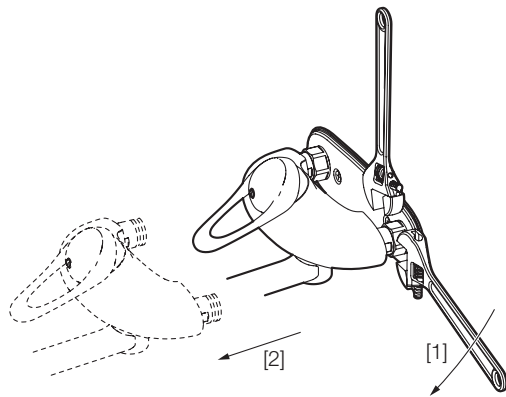
3197-0000 = 160 mm c/c



A

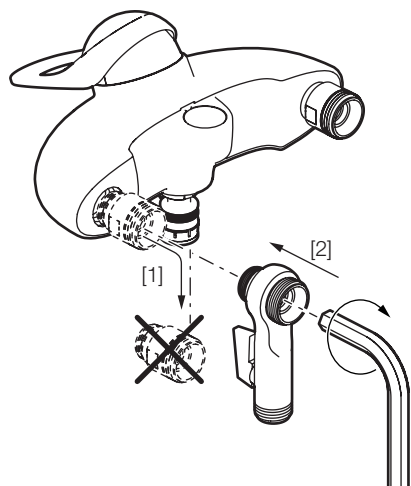


B



C:1

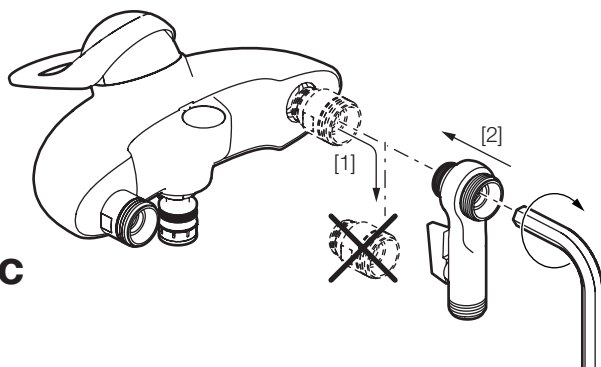
Alt. COLD



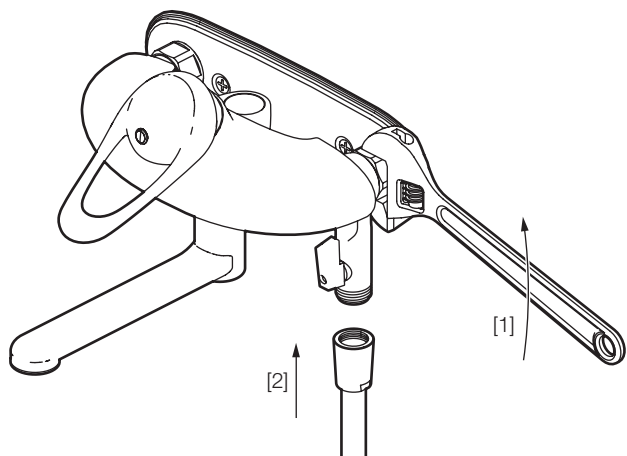
160 c/c

C:2

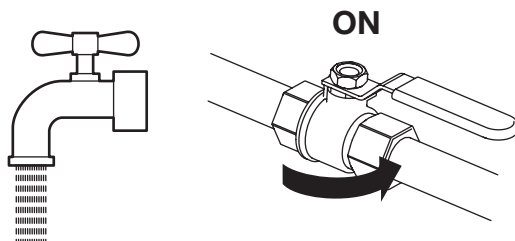
Alt. HOT

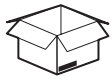


D

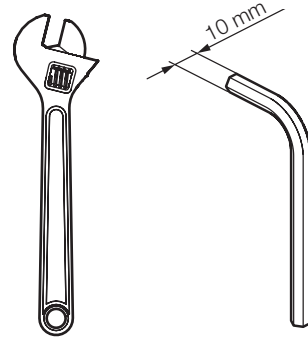
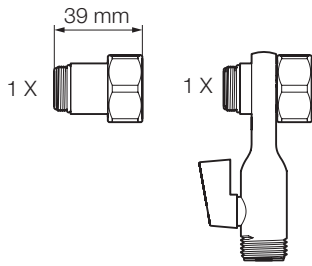


E





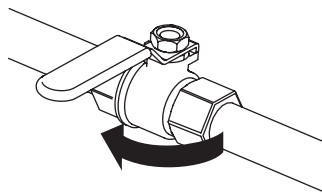
3197-1500 = 150 mm c/c



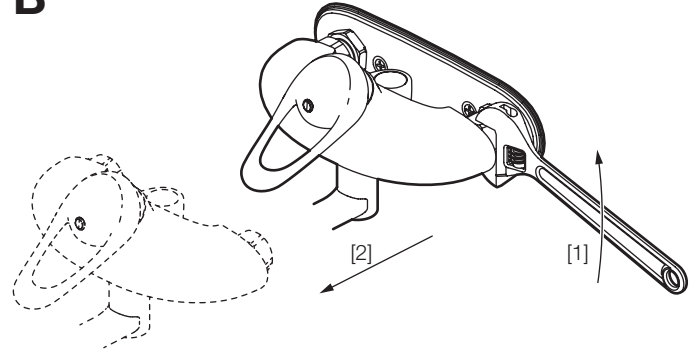
A



OFF

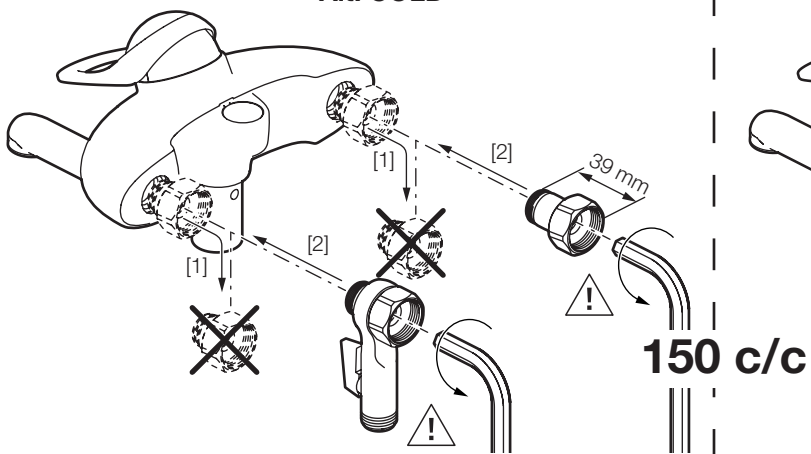


B



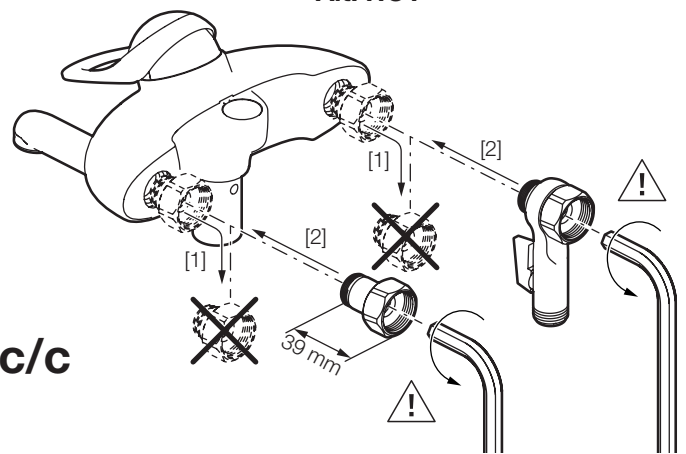
C:1

Alt. COLD

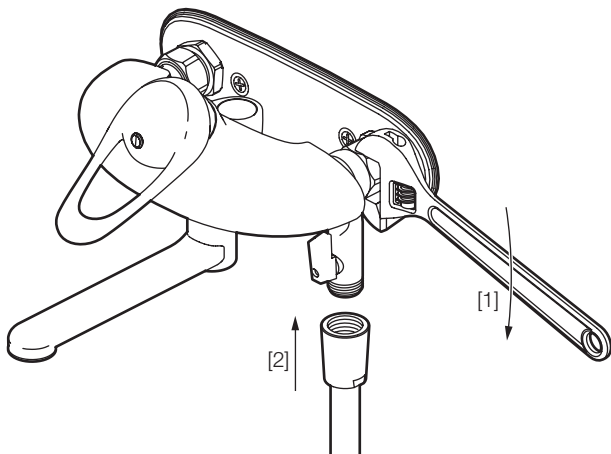


C:2

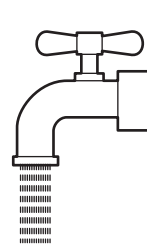
Alt. HOT



D



E



ON

